

EPOMINI THE SMALL, EFFECTIVE SPREADER



EpoMini is a road-speed related salt and sand spreader with a wide range of application areas: cycle-ways, footpaths, squares in housing estates, around schools, supermarkets, factories etc.

Spreading with EpoMini is friendly to both the economy and the environment.

EpoMini spreaders are as suitable for spreading fertilizers in the summer as for spreading salt in the winter.



EpoMini 20



EpoMini 5



EPOMINI

(2005-11-02.BA)

Technical data and dimensions

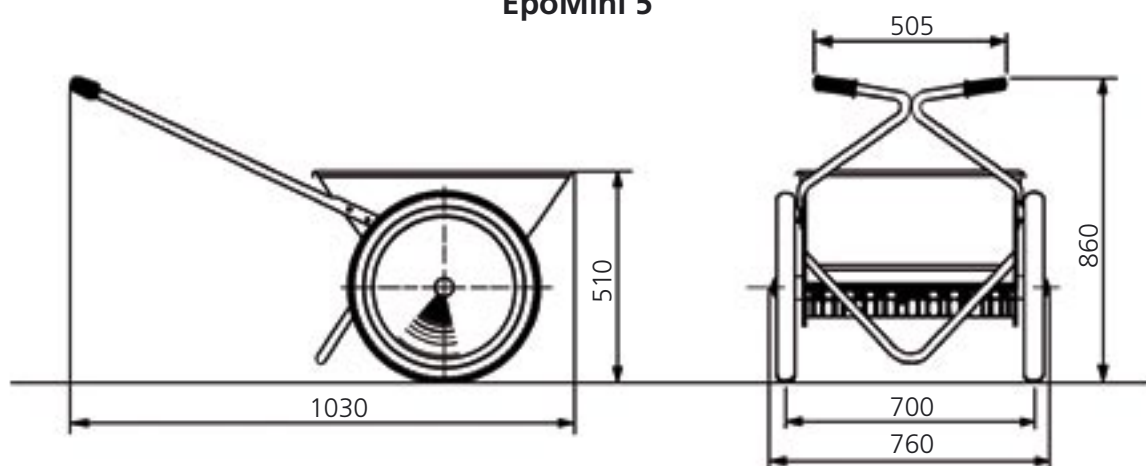
	EpoMini 5	EpoMini 20
Hopper capacity:	app. 50 liters	app. 200 liters
Spreading width:	550 mm	800 mm
Total width:	760 mm	1065 mm
Weight:	30 kg	75 kg
Cruising radius per filling		
Salt:	app. 5 km	app. 15 km
Sand:	app. 1 km	app. 2-3 km
Standard equipment:	Agitator, rubber base, spring base adjustment, transmission and wheels.	

Features:

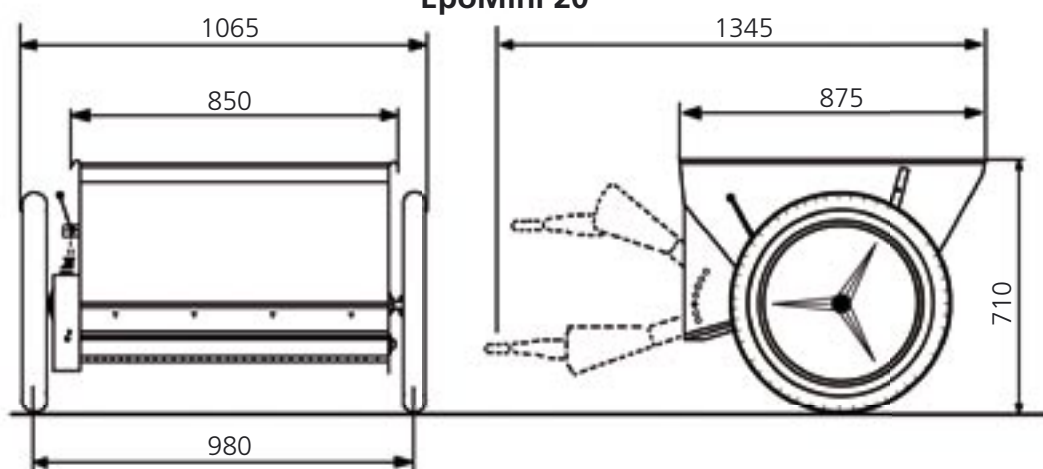
EpoMini is equipped with the Epoke metering system consisting of an impellor, a delivery roller and a spring loaded rubber base which ensure an accurate and homogeneous distribution along the full width of the spreader.

Like all other Epoke machines, EpoMini features surface treatment consisting of sandblasting, zinc dust priming, 2-component polyurethane base coat and a 2-component top coat.

EpoMini 5



EpoMini 20



In order to maintain the high and uniform product standard Epoke® A/S has been certified by Lloyd's register to ISO 9001:2000.
TLG B-3 approval - GS approval - E1 approval
RoHS directive - WEEE directive

Epoke® A/S
Vejenvej 50, Askov
DK-6600 Vejen
Tel. +45 76 96 22 00
Fax +45 75 36 38 67
epoke@epoke.dk
www.epoke.dk



– de-icing of roads!